

CONNECTION DETAILS



CONNECTION DETAILS

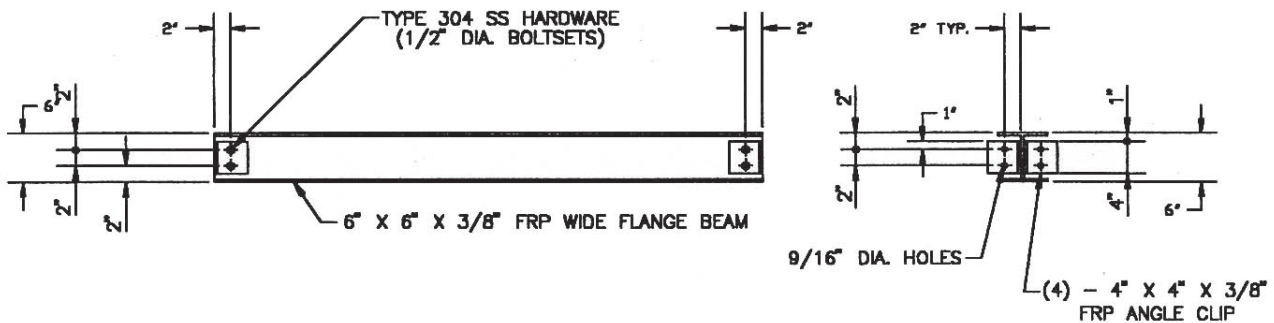
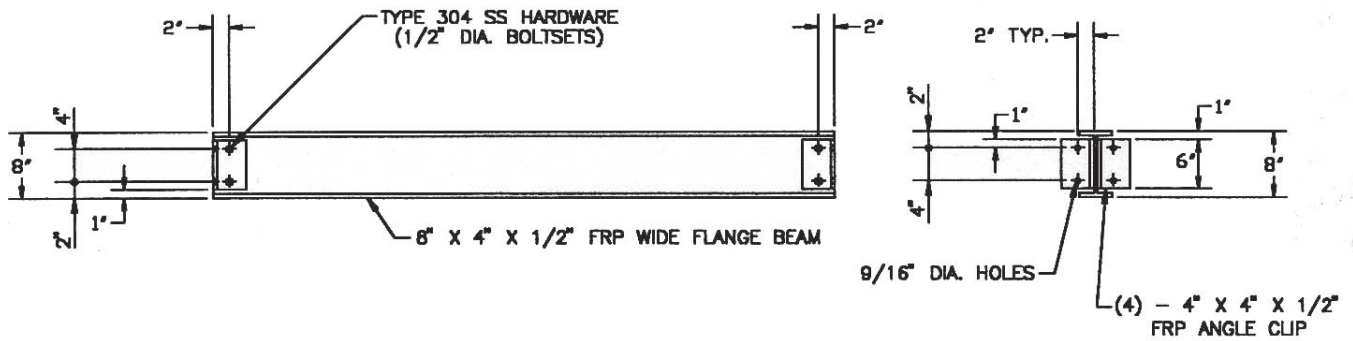
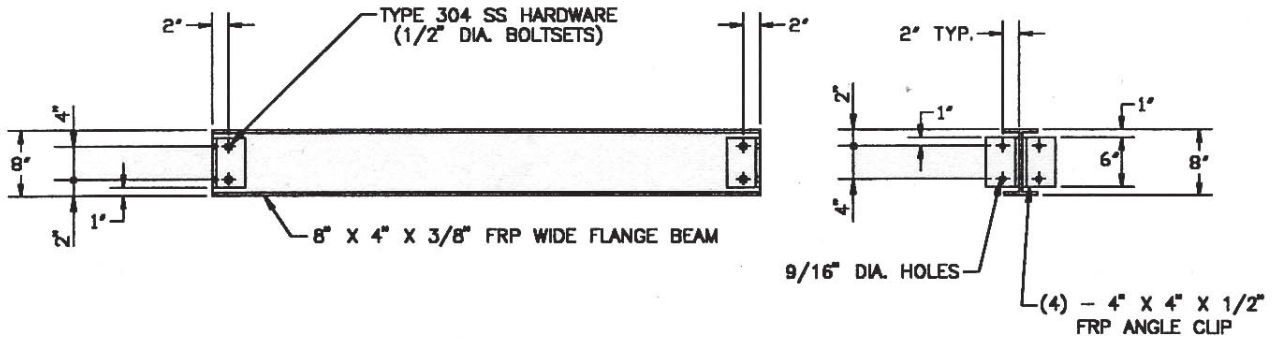
Typical Framing Practices for PFRP Sections

Connections for PFRP frame structures play the major role of both efficient and safe design of the frame structures. To date, most of the available connection details are duplicates of the steel connections. These sections will provide the structural engineer and the fabricator with recommended details which were the results of the current research in the area of the frame connections. Bedford Reinforced Plastics recognizes the importance of providing the Plastics Industry with the appropriate and safe state-of-the-art research development in this vital area.

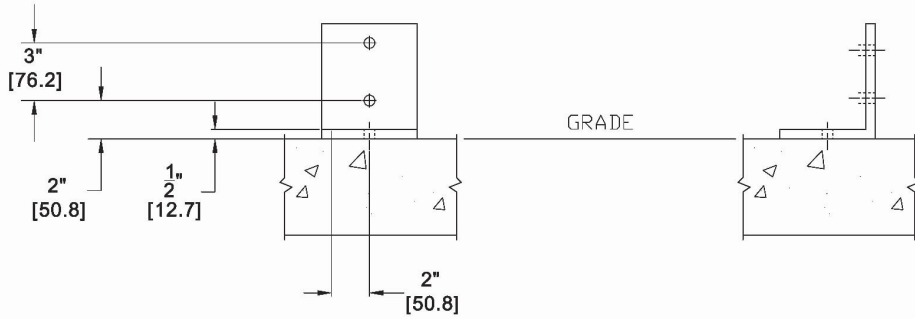
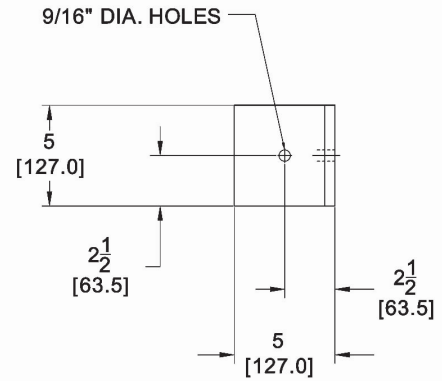
The following connection details are furnished courtesy of Structural Fiberglass, Inc. and IKG Industries.

DISCLAIMER: THE INFORMATION CONTAINED IN THIS BEDFORD REINFORCED PLASTICS' DESIGN GUIDE IS HEREIN SUPPLIED AS A SERVICE TO OUR CUSTOMERS AND IS INTENDED TO BE USED AS A GENERAL GUIDE AND IS NOT A SUBSTITUTE FOR PROVED ENGINEERING PRACTICING AND DESIGNS. IT SHALL BE THE SOLE RESPONSIBILITY OF THE ENGINEER/DESIGNER TO COMPLY WITH ALL INDUSTRY STANDARDS, LOCAL CODES AND GOVERNMENT REGULATIONS. ALTHOUGH THE INFORMATION SUPPLIED HEREIN IS BELIEVED TO BE ACCURATE AND RELIABLE AS OF THE DATE OF PUBLICATION, BEDFORD REINFORCED PLASTICS, STRUCTURAL FIBERGLASS, INC., AND IKG INDUSTRIES ASSUMES NO RESPONSIBILITY OR LIABILITY FOR THE INFORMATION CONTAINED HEREIN.

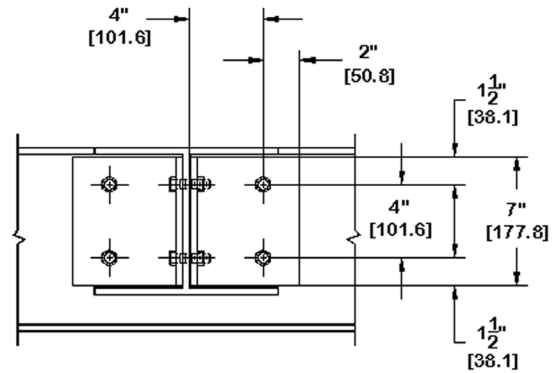
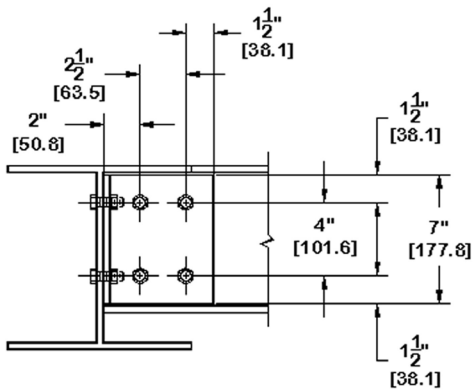
TYPICAL BEAM CONNECTION DETAILS



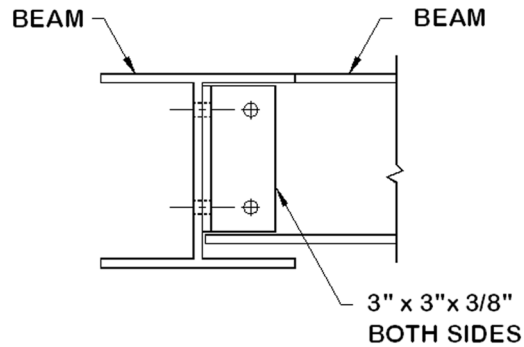
TYPICAL BASE DETAIL



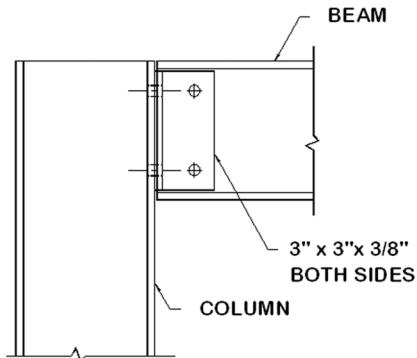
TYPICAL CONNECTION DETAIL



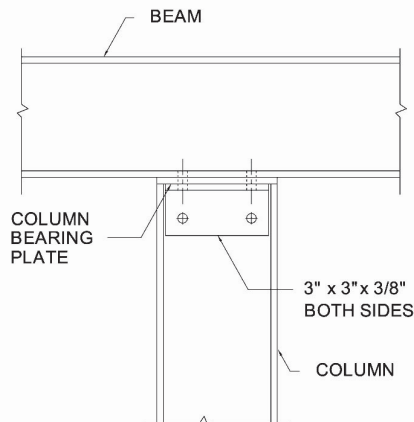
BEAM TO BEAM CONNECTION



BEAM TO BEAM COLUMN



BEAM OVER COLUMN



SMALL PLATFORM ASSEMBLY (Foot Traffic Loading)

